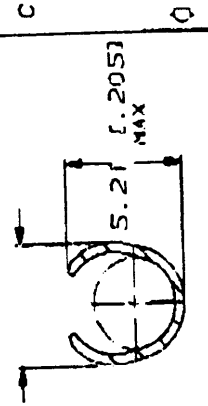
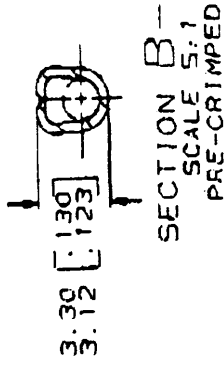
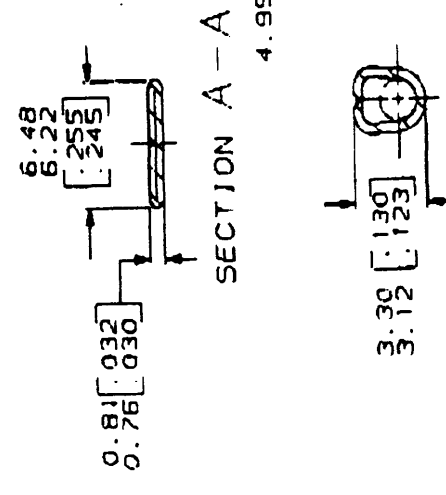
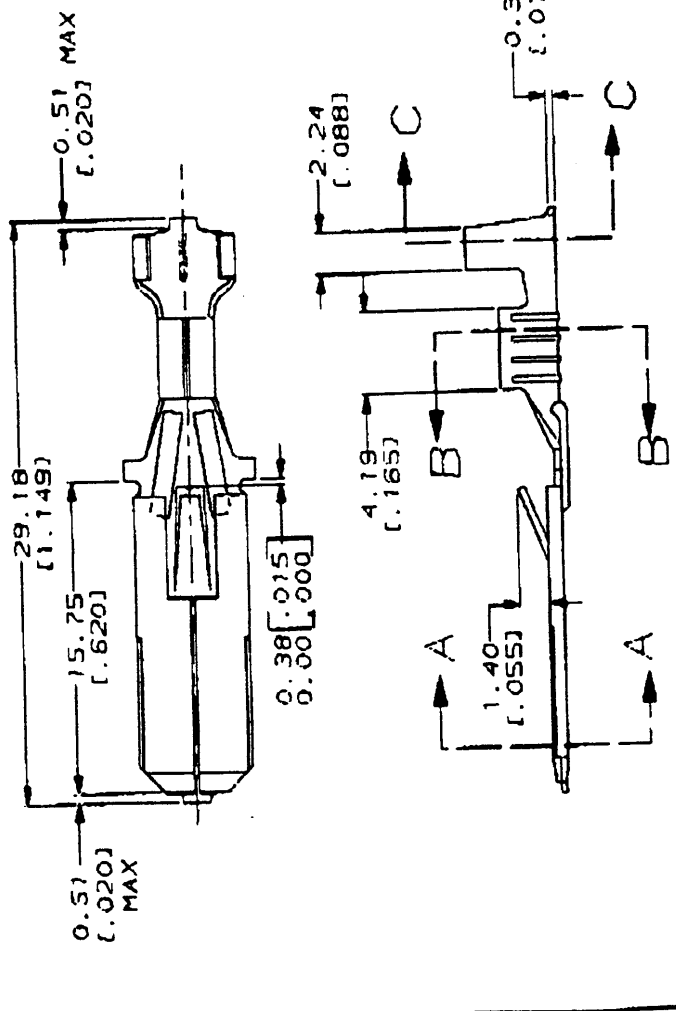


THIS DRAWING IS UNPUBLISHED. RELEASED FOR PUBLICATION BY AMP INCORPORATED. ALL INFORMATION WITHIN RESERVED.

REVISIONS  
 DATE  
 DESCRIPTION  
 1  
 09/17/52  
 3469  
 09/17/52  
 3469  
 09/17/52  
 3469



- 1 SUPPLIED IN LOOSE PIECE.
- 2 FOREIGN PRODUCTION ONLY.
- 3 WIRE BARREL ACCEPTS A [#18-#14] AWG.
- 4 INSULATION RANGE IS 3.05-4.06 DIA [.120-.150] DIA.

QTY	0.003048	[.000120]	MIN SILVER	H02 BRASS	42241-3
QTY	0.002032	[.000080]	MIN TIN	H02 BRASS	42241-2
QTY			NONE	H02 BRASS	42241-1
FINISH		NONE			
MATERIAL		H02 BRASS			
PART NO		42241-3			
MATERIAL		AMP Incorporated Harrisburg, PA 17105-3608			
WIRE		TAB, FASTIN-FASTON, 6.35 [.250] SERIES			
SIZE	B	GAGE GAUG	00779	CRIMPING NO	C-42241
SCALE	4:1	APPLICATION SPEC		WEIGHT	1 OF 1

THIS DRAWING IS A CONTROLLED DOCUMENT FOR THE CUSTOMER. IT IS SUBJECT TO CHANGE AND THE CONTROLLING ENGINEERING DEPARTMENT SHOULD BE CONTACTED FOR THE LATEST REVISION.

CUSTOMER DRAWING

964 931